



CP200D

SITEX



Setting new standards for constant-potential portable X-ray generators

Thanks to its cutting-edge SITEX CP200D, ICM has now really taken the portable CP technology to the next level.

Featuring unprecedented ease, it successfully covers a broad spectrum of NDT applications. Whether it is high-contrast radiographies of light alloy aviation parts or thick steel pipeline inspections in the harshest and most extreme environments, this is your solution.

The SITEX CP200D is probably the best option for all of your projects!

KEY FEATURES

- 12 kg tube head
- Ø 140 x 715 mm length
- 0.8 mm Be window
- 900 W anode dissipation
- 10 to 200 kV range
- 1 to 10 mA range
- 1 kV and 0.1 mA steps
- 100% duty cycle at 30°C
- Forced air cooled
- Gas insulated
- V-shaped hand rings
- Laser pointer
- Shutter & diaphragms
- 7.9 kg Control unit
- 90 to 264 VAC Mains
- 6 A at 220 VAC

BEST EVER DESIGN

The SITEX CP200D has been designed to revolutionize the handling and the performances of portable x-ray sets.

Despite our having halved the weight of common 200 kV X-Ray tubes available on the market, the SITEX CP200D contains a shutter, a laser pointer, a beryllium and aluminium filters and two integrated diaphragms (customized sizes available on request).

Without compromising ICM's robustness and reliability, the small size and light weight of the SITEX CP200D will radically change the way that you perform your RT inspections in the future, impacting positively in terms of both quality and return on investment (ROI).

PERFORMANCES

While the SITEX CP200D weighs just 12 kg, it is still extremely powerful and capable of penetrating 42 mm of steel in a mere 10 minutes.

ICM's unexcelled air cooling system combined with the CP output means a 100% duty cycle at 30°C ambient temperature. Meanwhile, its broad input power range (from 90 to 264 VAC) enables the SITEX CP200D to be operated on virtually any grid in the world.

And thanks to its very low current drain, it also works efficiently with light current generators or even on 12/24 Volt car batteries (with an appropriate extra converter).

Finally, its low power consumption will ensure that your inspections are more environmentally friendly.



AND THERE'S MORE...

The SITEX CP200D is setting new standards in terms of both handling and operating cost. It comes equipped with a number of intuitive yet exclusive user-friendly functions and characteristics that you can benefit from every day.

Furthermore, our exposure time computing software can be fed with your own exposure charts, ensuring improved accuracy, specific applications and any type of materials. The 'Powerbox' control unit detects the positioning of the carousel in order to avoid shooting through the shutter by mistake.

Additional outstanding features include V-shaped hand rings, constant power mode, radial or axial socket position, custom-length interconnecting cables (up to 100 m), a low voltage DC fan with variable speed, and much more.



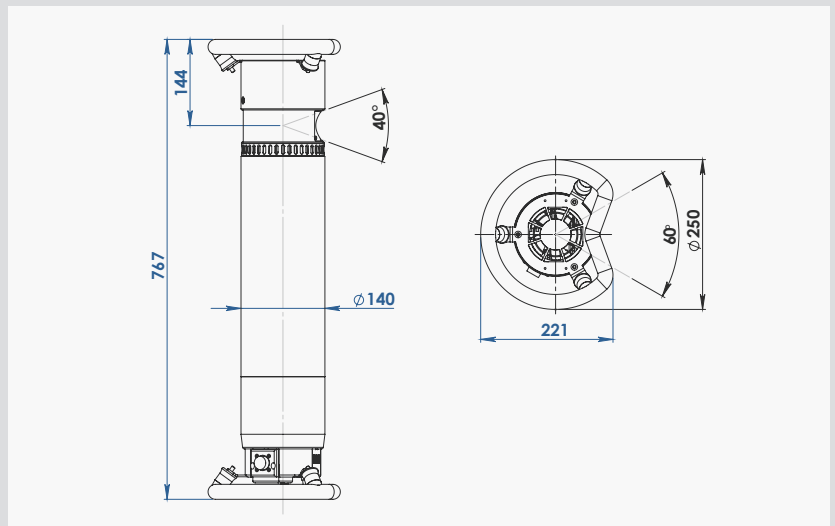
SITEX CP200D technical specifications :

| Technical specifications | UNITS | CP200D |
|---|---|-------------------------|
| Output kilovolt range | kV | 10 to 200 |
| Tube milliamps range | mA | 1 to 10 |
| Maximum anode power dissipation | Watt | 900 |
| Tube current at 200 kV | mA | 4.5 |
| Tube current and kilovolt stability | % | <0.5% |
| Duty cycle at 30°C ambient temperature | % | 100 |
| Steel penetration at maximum kV and power (*) | mm Fe | 42 |
| Total weight (excluding hand rings) | kg | 12 |
| Overall dimensions (excluding hand rings) | mm | Ø 140 x 715 |
| Leakage dose at 1 m at full output | mSv/h | 2.0 |
| Dimension of optical focal spot | mm | 3.0 (-1.5 IEC 336) |
| Maximum useful angle of X-ray directional beam | (°) | 60 x 40 elliptical |
| Tube inherent filtration | mm (Be) | 0,8 |
| Weather protection | - | IP65 |
| Working temperature range | °C | -30 to +60 |
| Storage temperature range | °C | -40 to +70 |
| Standard length of interconnecting cable (extendable) | m | 20 |
| Maximum interconnecting cables extension - 20 m in length | m | 100 (5x20m) |
| Connectors & sockets systems CANNON MIL-DTL 26482 Series I | - | Cadmium plated Aluminum |
| Constant power mode | - | yes |
| Axial or radial positions switchable socket | - | yes |
| Built-in fail-safe 'X-ray energized' warning red flashing light | - | yes |
| On board real-time clock ensuring a full automatic warm-up | - | yes |
| Built-in carousel featuring two diaphragms, shutter and laser pointer | 8 mm Pb shutter, laser pointer, 0.8 mm Be filter, 3 mm Alu filter, 10 x 48 cm diaphragm | |

The SITEX CP200D works in conjunction with the "POWERBOX" 7.9 kg control unit (see specific documentation)

* FFD=700mm/Film D7pb/D=2.0/T=10 minutes

Dimensions



Accessories

- Audible / flashing light warning system
- Tripod (height can be adjusted between 65 cm and 190 cm)
- 'STORMCASE' transport (without tripod)
- 20 m extension interconnecting cable
- 12 V or 24 V car battery / 220 VAC converter

Certifications

- CE certified to EMC and LVD
- NFC74-100 Bureau VERITAS LCIE certified
- PTB approved
- Manufactured under ISO9001/2008 certified